

General Measuring Guidelines – All Pool Shapes

Measuring your pool will be easier if you have another person helping you. Also, draining your pool will make the measuring process easier, however, it is not necessary. Measurements can be easily taken from outside of the pool.

Never assume your pool is standard. All pools are different. Please measure your pool for an exact fit. Actual pool measurements should be made even if original pool plans are available due to the fact that slight variances may have occurred during construction. The builder may not have followed the pool plan precisely.

When measuring the pool, do not make allowances for weather conditions, temperature, or the fact that vinyl shrinks and expands. These calculations are made when the new liner is designed.

Please supply all measurements in feet and inches. Round your measurements up to the nearest whole inch.

Follow the “step by step” instructions carefully, referring to all diagrams to ensure accurate measurements.

Remember to include your name, address, phone and fax numbers on each page that you send to us. You must also sign the MEASURING FORM before we can begin designing your liner.

Remember to record ALL of your measurements on the MEASURING form. You may need to transfer measurements you have made on the “Measuring Instructions” pages onto the actual MEASURING FORM.

Write your measurements legibly, using BLACK INK. (No pencil or felt-tip marker please!) Make copies of all pages for your records BEFORE sending them to us. You will need to refer to your copies if we have questions regarding your measurements.

Don't forget! If you're stuck you can contact us at:

Email: support@ezpoollinerdirect.com

On-line: EZPoolLinerDirect.com

NOTE:

If you have already ordered your In Ground liner on-line we will already have your contact and shipping information. You will also have specified your shape, width, length, pattern and gauge when getting your on-line pricing.

Please enter this information, as well as your Order reference on the Measuring form for verification. You will have this on your order confirmation email from us.

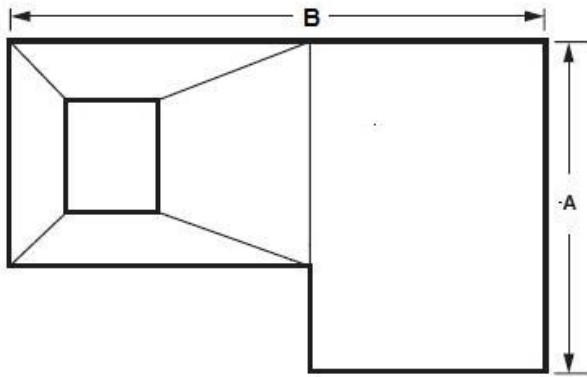
MEASURING INSTRUCTIONS Step-by-Step

True-L Pools

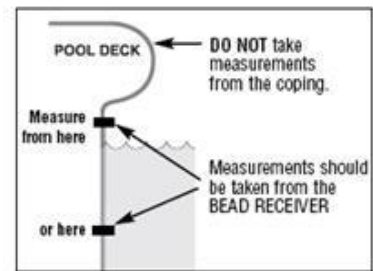
Step #1: Determine your liner type.

If you have a Beaded liner, select "Beaded" on the Measuring Form. If you have an Overlap liner, please also indicate the amount of overlap in inches.

Step #2: Measure the Width (A) and the Length (B)



Referring to the illustration of your True-L pool, be sure that the width (A) and the length (B) measurements are made at the bead receiver (where the liner snaps into the track), not at the edge of the coping (the edge of the pool deck). For True-L pools, the width includes the



"L" section.

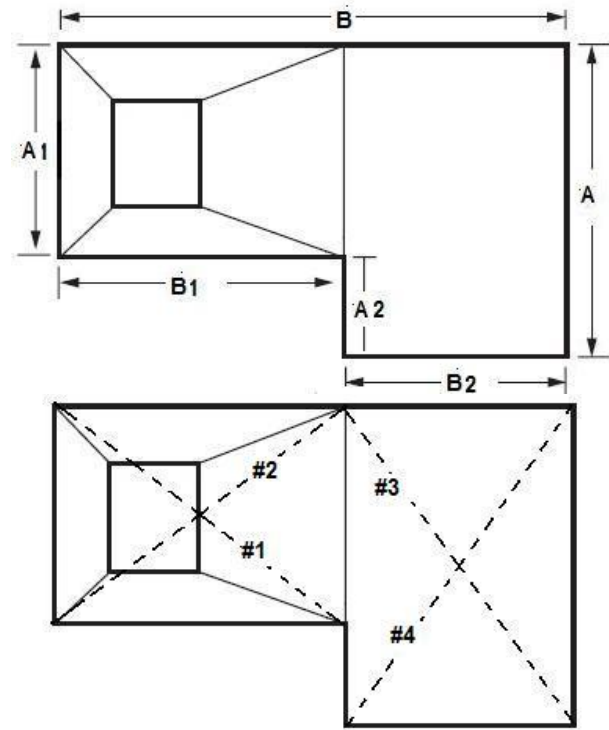
Record all measurements in the MEASURING FORM.

Step #3: Measure Width 1,2 and Length 1,2

True-L pools require 2 additional width dimensions and 2 additional length dimensions. These determine the size of your "L" section of the pool. Refer to the diagram, measure (A1), (A2), (B1) and (B2).

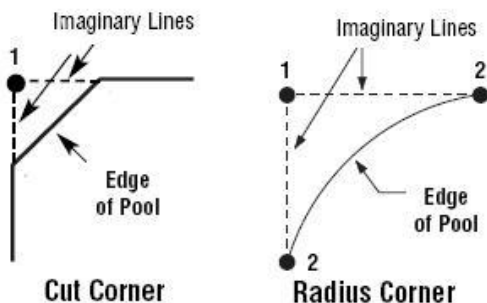
Follow the directions for Width and Length in Step#2.

Record all measurements in the MEASURING FORM.



Step #4: Measure Diagonals

For a TRUE-L pool, you will need to measure the pool on the diagonals (#1,#2,#3 and #4). Refer to the diagram below to locate the diagonals. Remember to use the bead receiver (pool edge) as the reference point. The diagonals are often overlooked, but they are important because few pools are perfectly square. There can be a substantial difference end-to-end in a pool, and that needs to be noted if a liner is to fit properly. (The Computer Aided Design System that engineers your liner can adjust for out of square pools.)



Measure the diagonals from the squared corners. If the corners of your pool are rounded (radius) or cut (diagonal), be sure to measure to squared corners. Refer to the diagram to the right for instructions on measuring to squared corners.

Record all measurements in the MEASURING FORM.

Step #5: Measuring Shallow End Covered Bottoms

Refer to the diagram below to determine if you have a Shallow End Covered Bottom. If you have a Shallow End Covered Bottom, follow these easy steps to take measurements (J), (J1), (J2) and (G1).

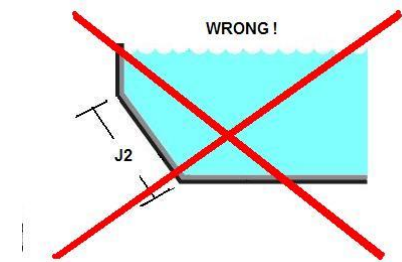
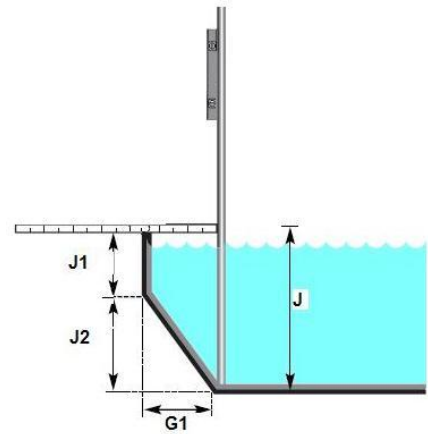
If you do not have a Shallow End Covered Bottom, proceed to the next step.

STEP 5.1: Measure the depth (J) of the shallow end of your pool. Be sure to measure from the bottom of the pool floor to the bead receiver (for beaded liners) OR to the board where the liner is nailed/stapled (for overlap liners). DO NOT measure to the top of the pool if you have a beaded liner, your measurement will be incorrect.

STEP 5.2: Measure from the bead track (beaded hung liners) or from top of the pool (overlap hung liners) down to where the cove (J1) begins. Subtract (J1) from (J) to determine (J2).

STEP 5.3: With a pole, locate the spot where the cove meets the floor. Use a carpenter's level to verify that the pole is vertical. Measure from the pool wall to the pole to determine (G1).

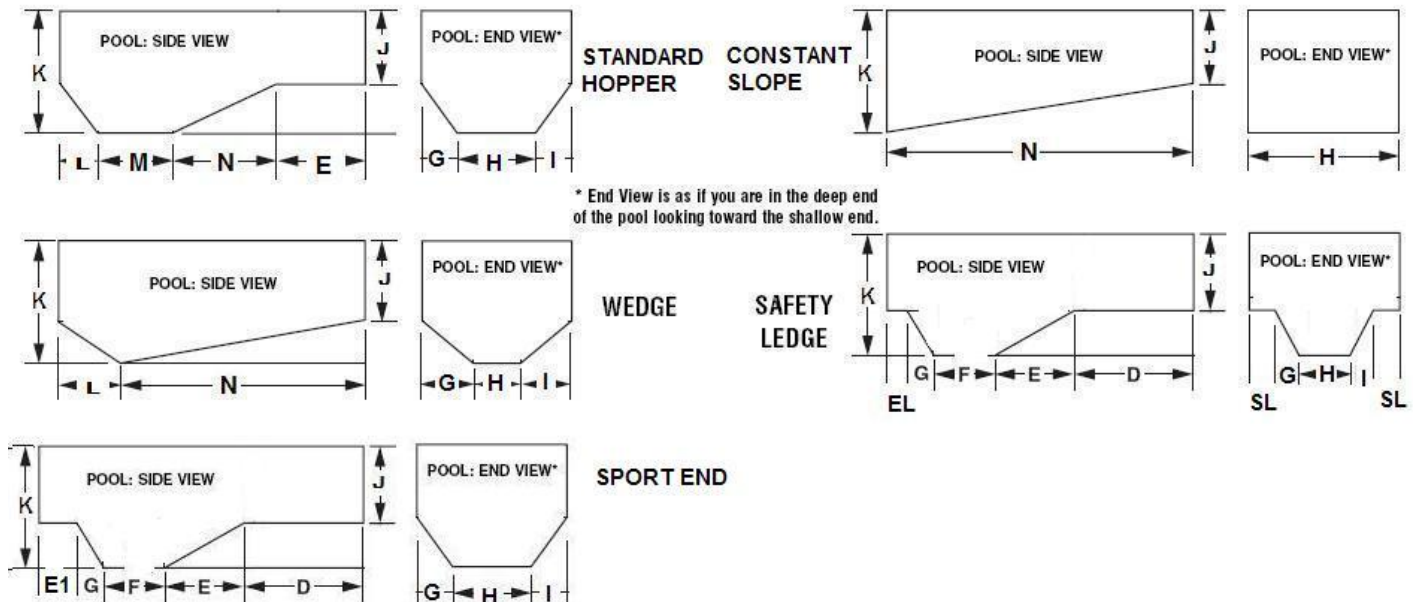
STEP 5.4: If the cove along the sidewall differs from the end wall cove, please notate on separate paper and include with the measuring form.



BE SURE THAT (J2) IS A HORIZONTAL MEASUREMENT, DO NOT MEASURE THE SLOPE OF THE COVE. We only use measurements parallel to the deck.

Step #6: Horizontal Measurements of Pool Bottom and Depth Measurements

Choose the Bottom Contour of your pool from the illustration below to determine which measurements you will need to take. You will also specify this on the MEASURING FORM.



NOW DO I MEASURE THE BOTTOM OF MY POOL?

You will be able to make horizontal measurements of your pool bottom without entering the pool. Taking these measurements is easier than you may think, when you use this easy-to-make measuring tool.

YOU WILL NEED THE FOLLOWING ITEMS:

1. A long straight pole (telepole)
2. String attached to one end of the pole
3. Some sort of weight tied to the other end of the string
4. A measuring tape

Follow the instructions below, using your fishing pole, to make these measurements.

Horizontal Bottom Measurements: Use your "fishing pole" to "fish" for a point on the bottom of the pool. With the pole parallel to the ends of the pool and the string vertical (allow no slack in the string), measure the distance from the edge of the pool (water's edge) to the end of the pole where string is attached. You should "fish" for points that will achieve the desired measurements based on the bottom contour of your pool.

For example, to take measurement (G) or (I), you would stand on one side of the pool, and "fish" for a corner of the Hopper. You would then measure the distance from the edge of the pool (water's edge) to the end of the pole where the string is attached.

Depth Measurements: When taking the depth measurements (J) and (K), be sure to measure from the bottom of the pool floor to the bead receiver (for beaded liners) OR to the top board where the liner is nailed or stapled (for overlap liners). Do not measure to the top of the pool if you have a bead receiver, your measurement will be incorrect.

ARE YOU MEASURING THE BOTTOM OF YOUR POOL CORRECTLY?

Be sure you are NOT measuring the slopes when taking horizontal bottom measurements. We only use measurements parallel to the deck. See the diagram at right for the correct way to measure a coved bottom. Select the bottom contour of your pool as illustrated previously.

Quick Check Of Your Measurements

L+M+N+E must equal B. (for a Standard Hopper)

L+N must equal B. (for a Wedge)

E1+L+M+N+E must equal B. (for a Sport End)

L+M+N+E +EL must equal B. (for a Safety Ledge)

G+H+I must equal A1 (for Standard Hopper and Wedge)

SL+G + H + I + H + SL must equal A1 (for Safety Ledge)

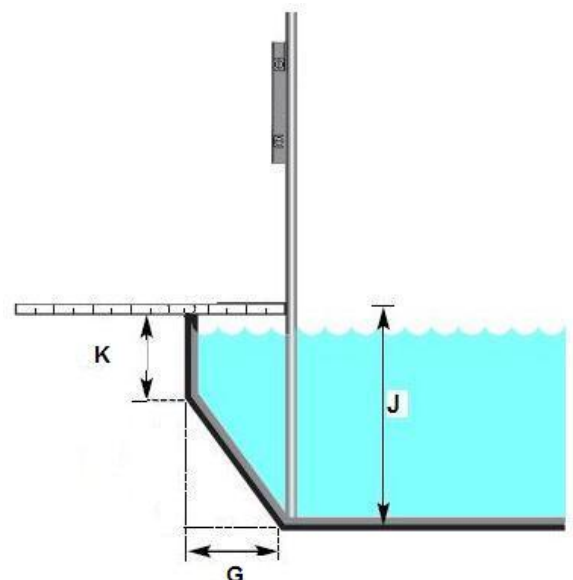
A1+A2 must equal A

B1+B2 must equal B

Make sure that you are taking measurements of the pool bottom on a horizontal plane. **If you measure the slopes of the pool, you will have an incorrect measurement.**

The measurements you take will depend on what style of bottom contour your pool has.

Record all measurements in the MEASURING FORM.



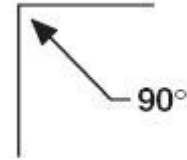
Step #7: Corners

Corners need to be specified on the measuring form. They can be one of 90degree, cut (diagonal) or radius (rounded).

Square (90deg) Corners

Square corners do not require a measurement.

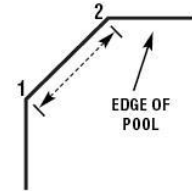
Indicate Square corners on the MEASURING FORM in the Corner Type Section.



Cut (Diagonal) Corners

Cut corners must be measured. Refer to the illustration to correctly measure your cut corners.

Indicate Cut corners and record the distance (1 to 2) on the MEASURING FORM in the Corner Type Section.



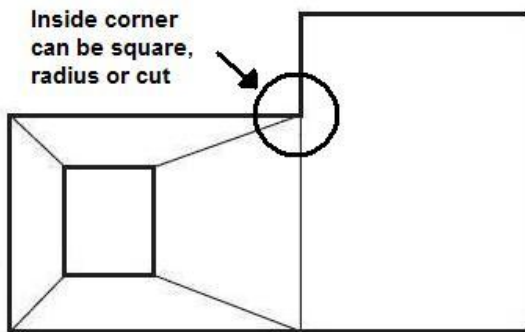
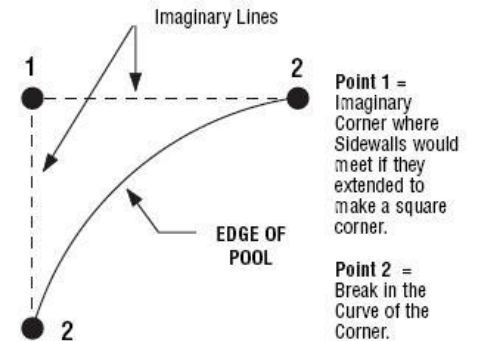
Radius (Rounded) Corners

Radius corners must be squared before measuring.

Use 2 straight edges to form an imaginary square corner, mark where the edges meet as Point 1. Measure from imaginary corner (Point 1) to Point

2. Refer to the illustration to correctly measure your radius corners.

Indicate Radius corners and record the distance (1 to 2) on the MEASURING FORM in the Corner Type Section.

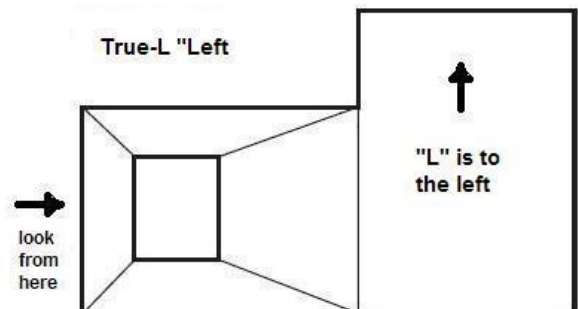
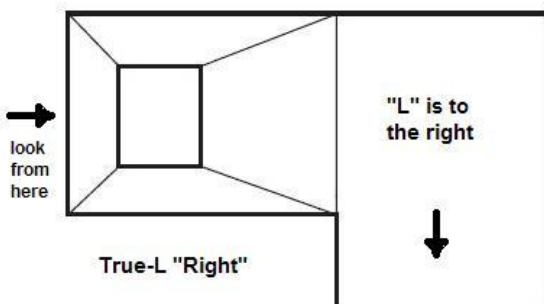


True-L pools may have a radius or cut corner where the "L" section joins the main portion of the pool (See diagram).

This inside corner needs to be specified on the MEASURING FORM.

Step #9: Right or Left Orientation

True-L pools are asymmetric. Standing at the deep end determine if your "L" section goes to the right or the left. This MUST be specified and is critically important for the design of your liner. Refer to the diagram to help you determine if you have a True-L "Right" or True-L "Left" pool.



Step #9: Vinyl-Covered Step Sections

If your pool has a built-in step section that is covered with vinyl, you must complete the Vinyl Covered Step Section of the MEASURING FORM.

Last Step: Relax! Sit back and wait for your In Ground liner from **EZ PoolLinerDirect**. We'll send you an email confirming your measurements have been verified and that your order has been processed. At that time we will notify you of the expected shipment date.

TRUE-L Pool Inground Liner Measuring Form

Name: _____
Address: _____
City: _____ **State/Prov:** _____ **Zip/Postal Code:** _____
Phone: Home (____) _____ Work (____) _____
Fax: (____) _____ **Email** _____

Liner Type
 Beaded Overlap Size? _____ in.
Pattern: _____ **Gauge:** _____
Right or Left?
 Right Left
Bottom Contour Type

Corner Type (Outside corners)
 Square (90 deg)
 Cut (Diagonal) Size _____ in.
 Radius (Rounded) Size _____ in.
Inside Corner Type (at "L")
 Square (90 deg)
 Cut (Diagonal) Size _____ in.
 Radius (Rounded) Size _____ in.
 Vinyl Covered Step Section
 (Please fill out the Step Section Measuring Form)
Comments

Dimensions
Width (A) _____ ft _____ in
Width (A1) _____ ft _____ in
Width (A2) _____ ft _____ in
Length (B) _____ ft _____ in
Length (B1) _____ ft _____ in
Length (B2) _____ ft _____ in
Diag#1 _____ ft _____ in
Diag#2 _____ ft _____ in
Diag#3 _____ ft _____ in
Diag#4 _____ ft _____ in
Wall Height (J) _____ ft _____ in
Depth (K) _____ ft _____ in
Shallow (E) _____ ft _____ in
Transition (N) _____ ft _____ in
Hopper Length (M) _____ ft _____ in
Up Slope (L) _____ ft _____ in
Sport End (E1) _____ ft _____ in
Left Side (G) _____ ft _____ in
Hopper Width (H) _____ ft _____ in
Right Side (I) _____ ft _____ in
Safety Ledge / Cove (if applicable)
Side (SL) _____ ft _____ in
End (EL) _____ ft _____ in
J1 _____ ft _____ in
J2 _____ ft _____ in
G1 _____ ft _____ in

Order No. _____ **Signature** _____

 Your signature indicates that you have verified your measurements and that the information you have provided is correct.

Note: If your pool bottom contour determines what dimensions must be specified.